

EMLED 3/120

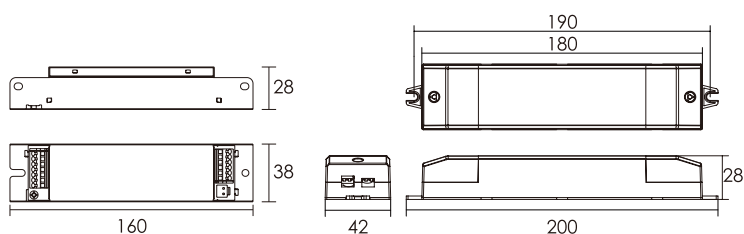
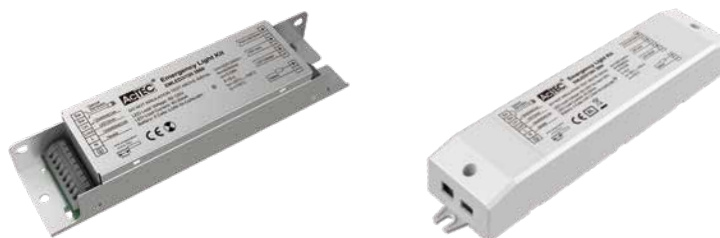
LED Emergency Light Kit

LED应急灯控制模组

Features:

- Intelligent automatic recharging function
- Automatic output current adjustment
- Constant current mode
- Wide range LED voltage 6-60V
- 3 hour emergency operation
- LED charge status display
- Over discharge protection
- Test button for self-test function
- Built-in or independent compact design
- Suitable for LED luminaire with detached driver

- 智能自动充电系统
- 自动调节输出电流
- LED恒流工作
- 匹配6-60V的LED光源
- 3小时应急照明
- LED充电状态指示
- 电池过放保护
- 测试按钮自检功能
- 内装式或独立式紧凑型设计
- 适用外置驱动器的LED灯具

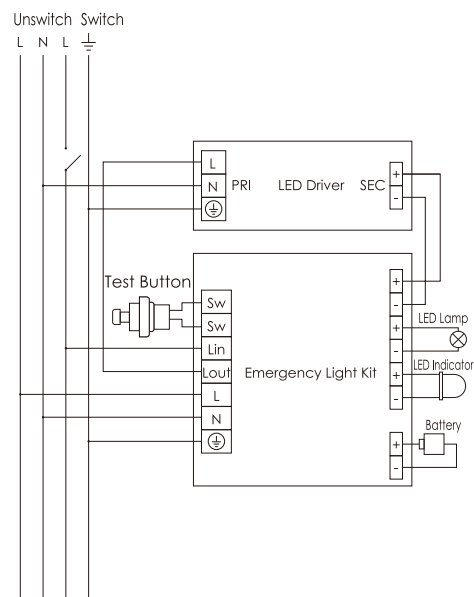
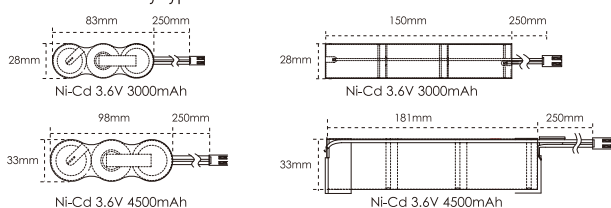


Parameters:

Technical Data 技术参数	EMLED3/120	EMLED3/120	EMLED3/120/I	EMLED3/120/I
	3000	4500	3000	4500
Rated supply voltage 输入额定电压	220-240V~	220-240V~	220-240V~	220-240V~
Frequency 额定频率	50/60Hz	50/60Hz	50/60Hz	50/60Hz
Input current 输入电流	40mA	40mA	40mA	40mA
Input power 输入功率	4W	4W	4W	4W
Power factor 功率因数	0.50C	0.50C	0.50C	0.50C
Charge current 充电电流	200mA	200mA	200mA	200mA
Recharge hours 充电时间	20h	24h	20h	24h
EM LED current LED 工作电流	40-20mA	60-30mA	40-20mA	60-30mA
EM LED voltage 输出电压	60-120V	60-120V	60-120V	60-120V
EM LED power LED 工作功率	2.4W	3.6W	2.4W	3.6W
Ambient temperature t_a 环境温度	-25...+50°C	-25...+50°C	-25...+50°C	-25...+50°C
Max. casing temperature t_c 最大外壳温度	70°C	70°C	70°C	70°C
Battery type 电池	Ni-cd 3.6V 3.0Ah	Ni-cd 3.6V 4.5Ah	Ni-cd 3.6V 3.0Ah	Ni-cd 3.6V 4.5Ah
Dimensions LxWxH 尺寸	160x38x28mm	160x38x28mm	200x42x28mm	200x42x28mm
Fixing centre D 安装孔距	150mm	150mm	190mm	190mm

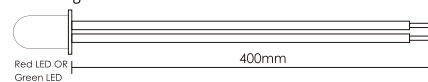
Option

Duration and battery type



Status Indication LED

Mounting hole 6.5mm dia



Test Button

Mounting hole 7.0mm dia

